

TRANSFORMER SPECIFICATIONS

KVA	2500/2800/3125/3500	PRIMARY VOLTAGE	4160Y X 12470Y X 2400 DELTA X 7200 DELTA
PHASE	3	PRIMARY BIL	95 kV
FREQUENCY	60 HZ	PRIMARY CONNECTION	DELTA X WYE
DESIGN IMPEDANCE	5.75%	PRIMARY CONDUCTOR	ALUMINUM
INSULATING FLUID	MINERAL OIL	SECONDARY VOLTAGE	480Y/277 X 600Y/346
COOLING CLASS	ONAN	SECONDARY BIL	30 kV
TEMPERATURE RISE	55/65C°	SECONDARY CONNECTION	WYE
PAINT COLOR	RENTAL WHITE	SECONDARY CONDUCTOR	ALUMINUM
PAINT SYSTEM	STANDARD URETHANE		

ORDER INFORMATION

PO#	-
CUSTOMER	-
TRANSFORMER QTY	1
DRAWINGS STATUS	PRELIMINARY
	APPROVAL
	X CONSTRUCTION
	AS BUILT

S/N:	TYPE : CZ	MFG DATE :
KVA : 2500/2800/3125/3500	55/65°C RISE	% IMP AT 75°C
INSULATING LIQUID	MINERAL OIL	NON-PCB 780 GAL
THREE PHASE	CLASS-ONAN/ONAF	60 HZ INST BOOK STA-OM200
VOLTAGE RATING	2400 DELTA X 7200 DELTA - 480Y/277 X 600Y/346 4160Y/2400 X 12470Y/7200- 480Y/277 X 600Y/346	
BIL - H.V/L.V	95/30 kV	CONDUCTOR MAT: H.V/L.V - AL/AL

30° DISP

0° DISP

VOLTS	AMP.	CONNECTION	VOLTS	AMP.	CONNECTION
600Y	3368	Y1-Y2-Y3	480Y	4210	X1-X2-X3

DELTA HIGH VOLTAGE CONNECTIONS				
VOLTS	AMP.	TAP-CHANGER	Δ-Y SWITCH	D-V SWITCH
2400	842	D	1/Δ	1
8320	243	A	1/Δ	2
7970	254	B	1/Δ	2
7620	265	C	1/Δ	2
7200	281	D	1/Δ	2
6928	292	E	1/Δ	2

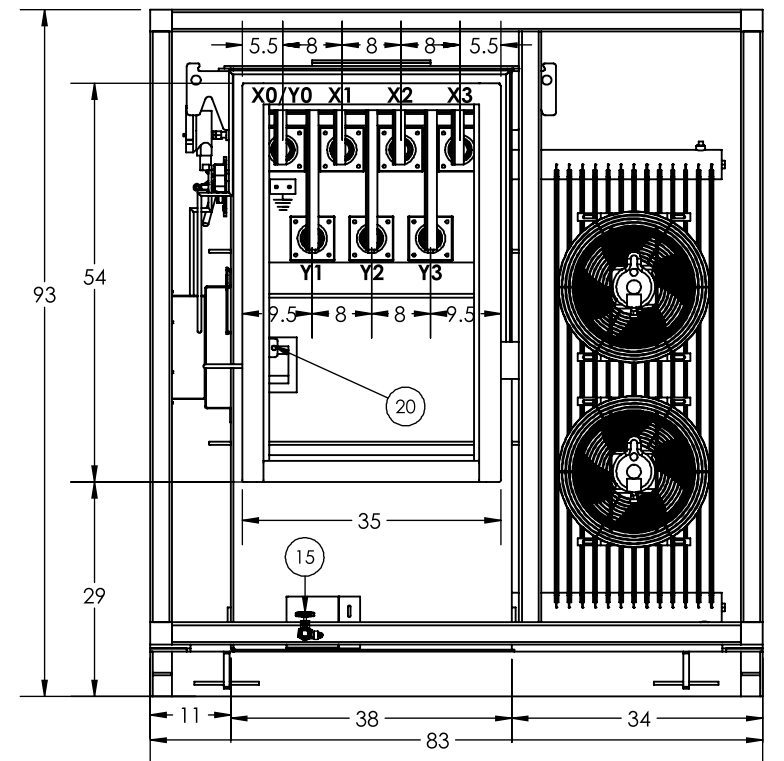
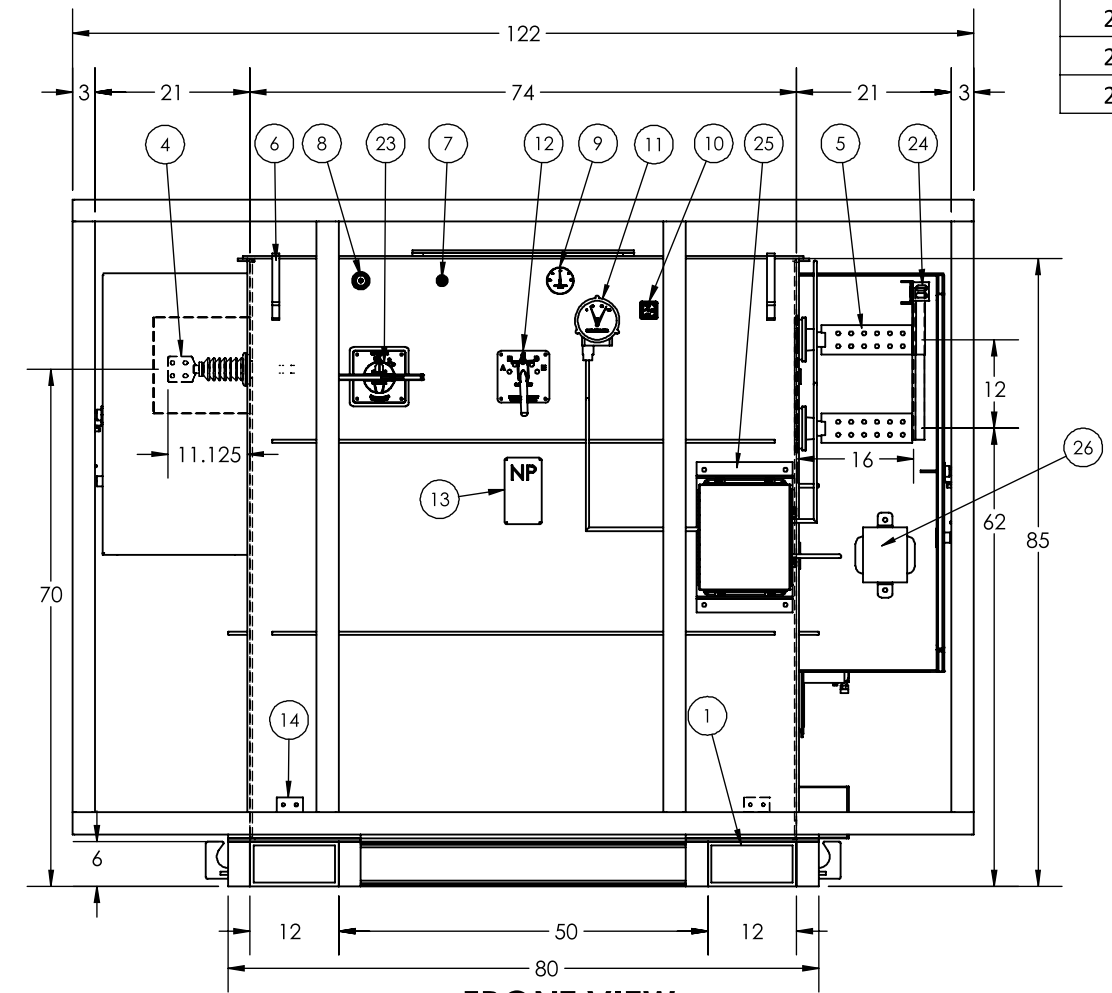
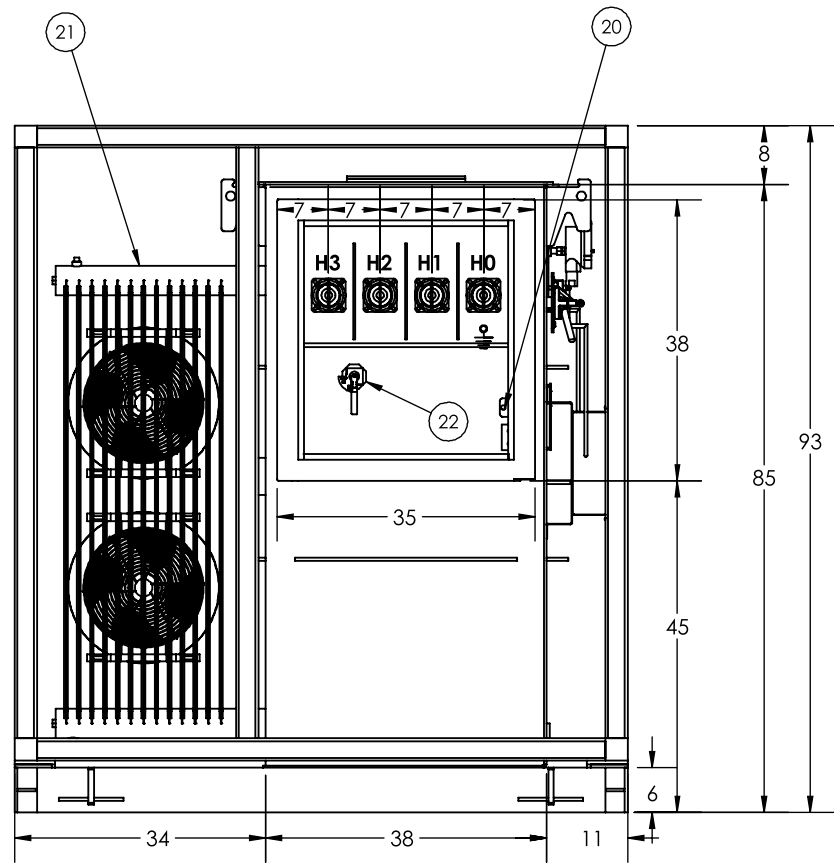
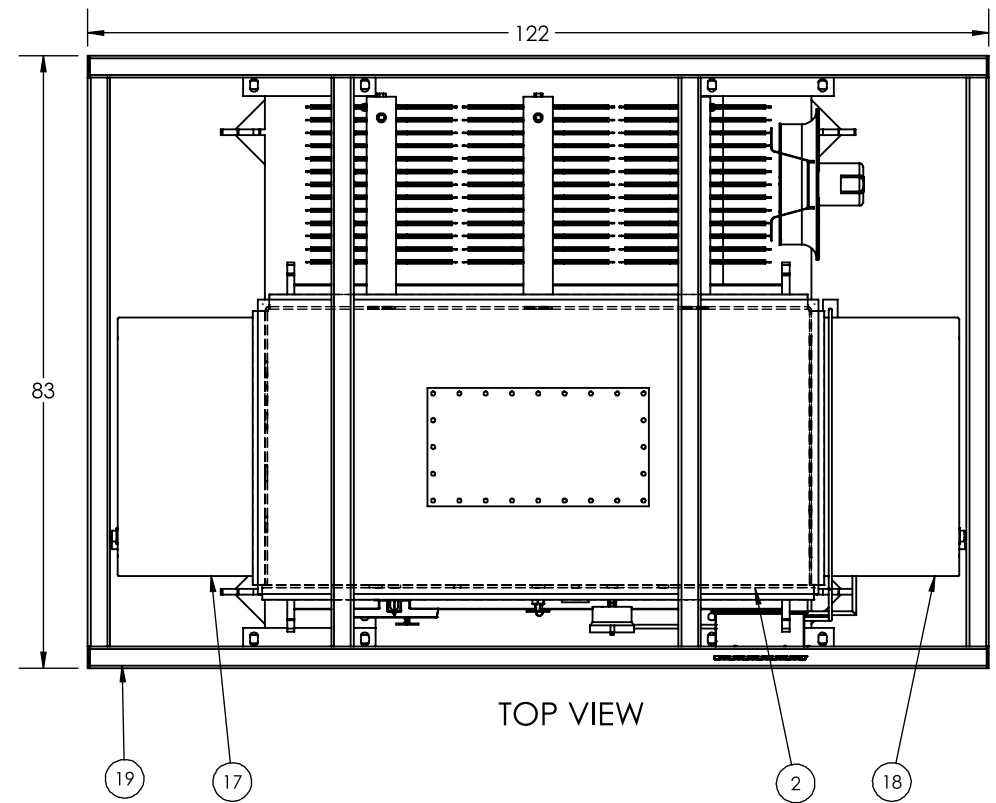
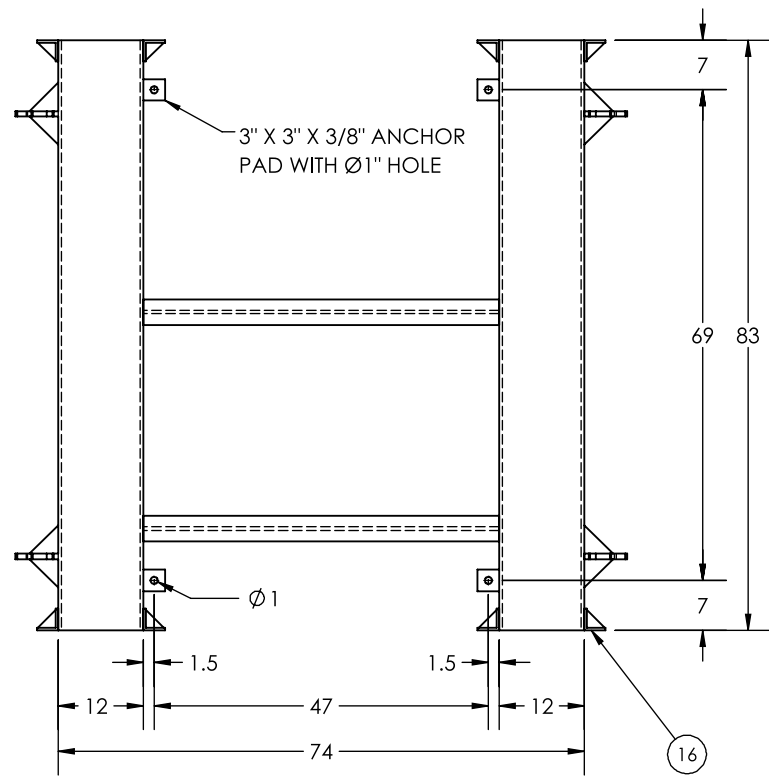
WYE HIGH VOLTAGE CONNECTIONS				
VOLTS	AMP.	TAP-CHANGER	Δ-Y SWITCH	D-V SWITCH
4160Y	486	D	2/Y	1
14400Y	140	A	2/Y	2
13800Y	146	B	2/Y	2
13200Y	153	C	2/Y	2
12470Y	162	D	2/Y	2
12000Y	168	E	2/Y	2

** CAUTION: TAP CHANGER MUST BE ON D POSITION FOR 2400 VOLTS OR 4160Y**

NOTES:
 1. WHEN THE DELTA-WYE SWITCH IS IN POSITION 2 WYE POSITION:
 - IF HV IS REQUIRED TO OPERATE AT A WYE VOLTAGE, IT'S RECOMMENDED H0 & X0 BE GROUNDED.
 - IF HV IS REQUIRED TO OPERATE AT A DELTA VOLTAGE, THE H0 GROUND BOND SHOULD BE REMOVED.
 2. MAX OPERATING PRESSURE OF LIQUID PRESERVATION SYSTEM 7.5 LBF/IN² POSITIVE AND 5 LBF/IN² NEGATIVE.
 3. TANK DESIGNED FOR 12 LBF/IN² VACUUM FILLING.
 4. FILLING LIQUID LEVEL BELOW TOP SURFACE OF THE HIGHEST POINT OF THE HIGHEST MANHOLE FLANGE AT 25 °C 6.56 INCHES.
 5. LIQUID LEVEL CHANGES 0.48 INCHES/10 °C CHANGE IN LIQUID LEVEL TEMPERATURE.
 6. RATED CURRENTS OF ALL TAPS ARE AT THE HIGHEST KVA RATING
 7. CONTAINS NO DETECTABLE LEVEL OF PCB (LESS THAN 1 PPM) AT THE TIME OF MANUFACTURE

TRANSFORMER MANUFACTURED BY:
VANTRAN - WACO, TEXAS USA

UL US LISTED
 Liquid-Filled Distribution Transformer. E349116



ITEM #	DESCRIPTION	QTY
1	FORK TRUCK LIFTING PROVISIONS	-
2	TANK LID IN MILD STEEL	-
3	BOLTED ON INSPECTION PLATE IN MILD STEEL	1
4	15 KV HIGH VOLTAGE BUSHINGS WITH 4-HOLE NEMA SPADE TERMINALS	4
5	1.2 KV 4500A LOW VOLTAGE BUSHINGS WITH 12-HOLE NEMA SPADE TERMINALS	7
6	LIFTING LUGS IN MILD STEEL	4
7	PRESSURE RELIEF VALVE	1
8	1" FILL PLUG WITH SCHRADER VALVE	1
9	PRESSURE VACUUM GAUGE	1
10	LIQUID LEVEL GAUGE	1
11	TEMPERATURE GAUGE WITH SINGLE ALARM CONTACTS	1
12	EXTERNALLY OPERATED DE-ENERGIZED TAP-CHANGER	1
13	DURABLACK NAMEPLATE	1
14	STAINLESS STEEL GROUND PAD	4
15	1" DRAIN VALVE WITH OIL SAMPLER IN A PADLOCKABLE BOX	1
16	TANK BASE IN MILD STEEL WITH PROVISIONS FOR ROLLING	1
17	HIGH VOLTAGE AIR TERMINAL CHAMBER IN MILD STEEL	1
18	LOW VOLTAGE AIR TERMINAL CHAMBER IN MILD STEEL	1
19	3" BOLTED ON PROTECTIVE CAGE	1
20	HEX HEAD REA BOLT FOR SECURING DOOR DURING TRANSIT	2
21	WELDED ON MILD STEEL RADIATORS	3
22	EXTERNALLY OPERATED DE-ENERGIZED DUAL VOLTAGE SELECTOR SWITCH	1
23	EXTERNALLY OPERATED DE-ENERGIZED DELTA-WYE SWITCH	1
24	LV BUSHING SUPPORT	7
25	NEMA 4 CONTROL ENCLOSURE	1
26	DRY TYPE TRANSFORMER	1

		SO#: 20V12539
		TITLE: OVERALL DIMENSIONS
REV1	JS	7/27/20
DRAWN	RT	4/2/20
		DWG#: 2.5MTF55-6800-2
NAME	DATE	SCALE: NTS ALL DIMENSIONS ARE IN INCHES

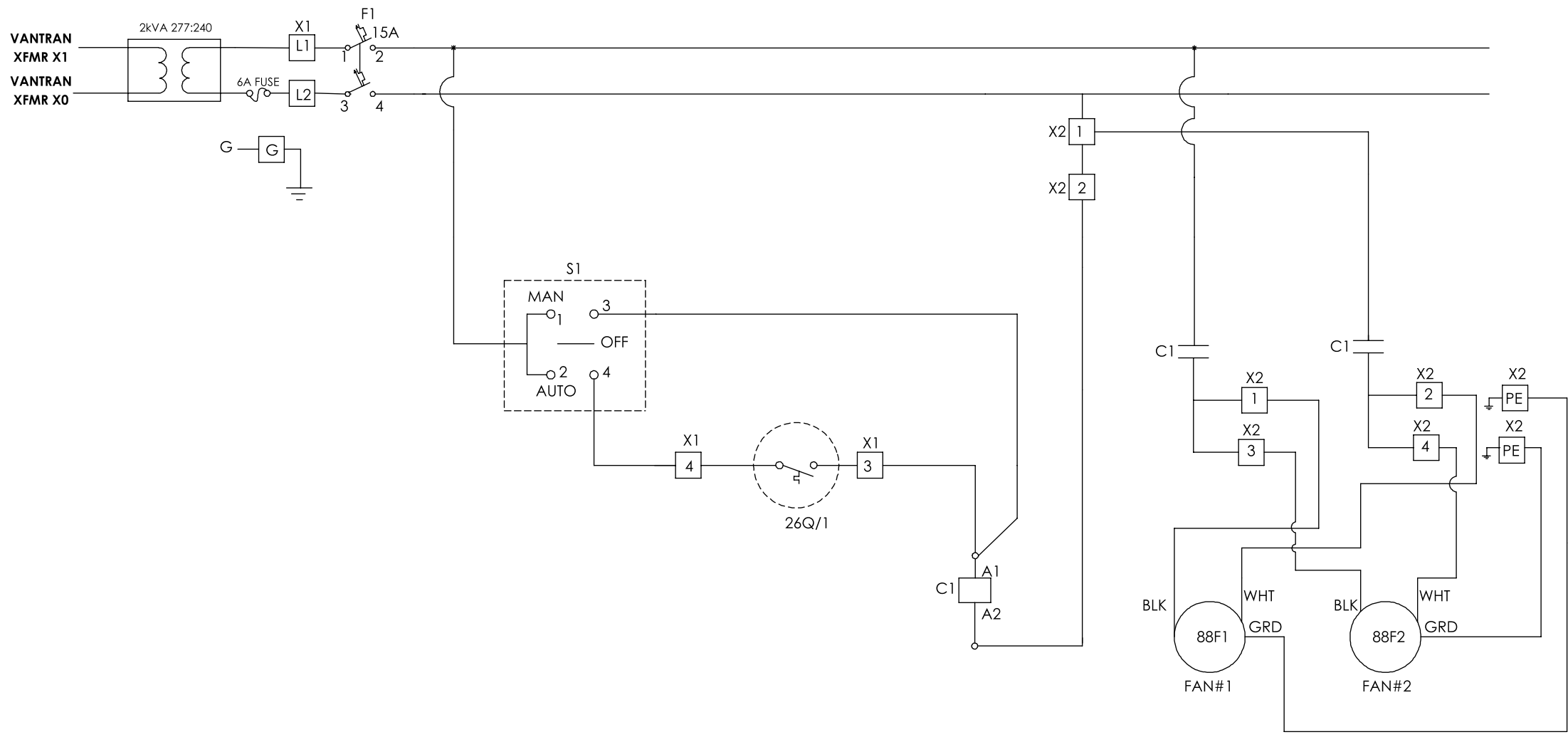
REV1: UPDATED CAGE & ATC DESIGN

PROPRIETARY AND CONFIDENTIAL
 THE INFORMATION CONTAINED IN THIS DRAWING IS THE SOLE PROPERTY OF VANTRAN INDUSTRIES, INC. ANY REPRODUCTION IN PART OR AS A WHOLE WITHOUT THE WRITTEN PERMISSION OF VANTRAN INDUSTRIES, INC. IS PROHIBITED.
 VANTRAN TRANSFORMERS - WACO, TEXAS - USA
 TRANSFORMERS

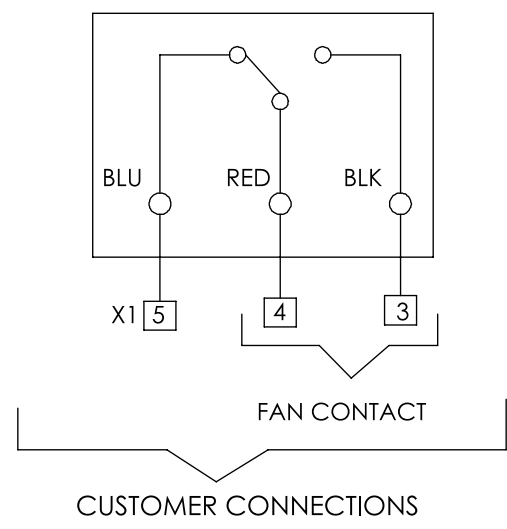
ENCLOSURE WIRING SCHEMATIC

PROPRIETARY AND CONFIDENTIAL
 THE INFORMATION CONTAINED IN THIS DRAWING IS THE SOLE PROPERTY OF VANTRAN INDUSTRIES, INC. ANY REPRODUCTION IN PART OR AS A WHOLE WITHOUT THE WRITTEN PERMISSION OF VANTRAN INDUSTRIES, INC. IS PROHIBITED.

VANTRAN TRANSFORMERS - WACO, TEXAS - USA



26Q
 TOP OIL TEMP
 (75°C)



F1	2 POLE CIRCUIT BREAKER
26Q	OIL TEMPERATURE GAUGE SWITCH
S1	FAN SELECTOR SWITCH
C1	FAN CONTACTOR
X1,X2	TERMINAL BLOCK
88F1,88F2	FAN MOTOR

		SO#: 20V12539	
		TITLE: WIRING SCHEMATIC	
		DWG#: 2.5MTF65-6800-W1	
DRAWN	JS	6/5/20	SCALE: NTS ALL DIMENSIONS ARE IN INCHES
	NAME	DATE	REV 0

