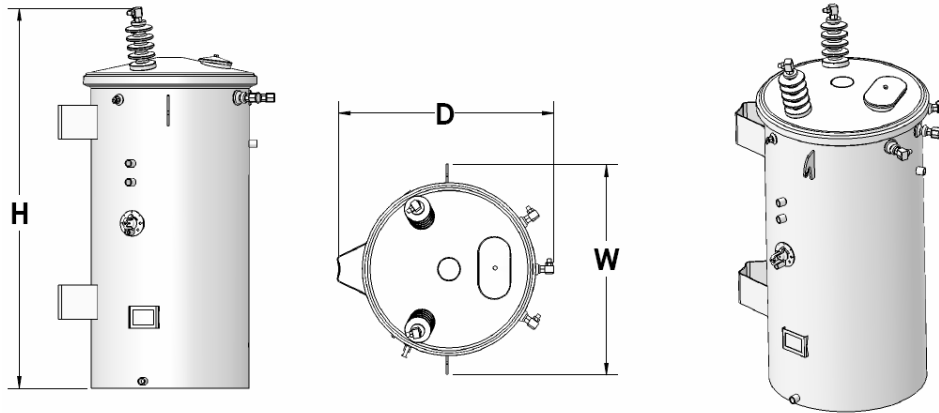


VANTRAN
OVERHEAD DISTRIBUTION TRANSFORMERS
SINGLE PHASE ONAN 65°C RISE

WACO, TEXAS
60 HZ

SECTION 15
PAGE 1
7-19-12



GENERAL NOTES

1. REFER TO FACTORY FOR SPECIAL FEATURES OR ACCESSORIES.
2. REFER TO FACTORY FOR TRANSFORMERS WITH VOLTAGES NOT LISTED IN CATALOG.
3. TAP TRANSFORMERS SUPPLIED WITH EXTERNAL TAPCHANGER.
4. REFER TO FACTORY FOR SPECIAL PRICING OF QUANTITY ORDERS OR TRUCK LOAD LOTS.
5. REFER TO FACTORY FOR FREIGHT CHARGES.
6. REFER TO FACTORY FOR CSP TYPE.

DATA SUBJECT TO CHANGE

VANTRAN
TRANSFORMER MECHANICAL DATA
SINGLE PHASE ONAN 65°C RISE

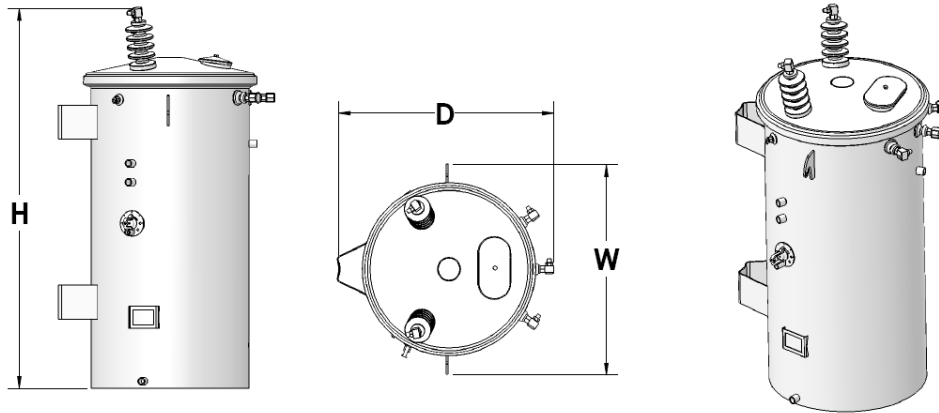
WACO, TEXAS

60 HZ

SECTION 15

PAGE 2

7-19-12



RATING		MECHANICAL DATA				
LOW VOLT	KVA	DIMENSIONS (APPROX. INCHES)			GAL OIL	APPROX. NET WGT.
		H	W	D		
HIGH VOLTAGE – 2400/4160Y (60 KV-BIL) · 4160/7200Y – 4800/8320Y (75 KV BIL) · 7200/12470Y – 7620/13200Y – 8320/14400Y – 12000 – 12470 (95 KV BIL)						
120/240 240/480 AND 277	10	32	17	20	8	220
	15	33	18	21	10	265
	25	36	20	23	15	370
	37½	42	20	23	17	490
	50	45	22	25	26	675
	75 100	50 56	28 28	28 28	40 47	870 1115
120/240	167	54	30	33	51	1385
	250	62	40	32	86	2100
	333	62	43	36	84	2300
240/480 AND 277	167	54	30	33	51	1385
	250	62	40	32	86	2100
	333	62	43	36	84	2300
	500	62	53	41	80	2900

DATA SUBJECT TO CHANGE

VANTRAN
TRANSFORMER MECHANICAL DATA
SINGLE PHASE ONAN 65°C RISE

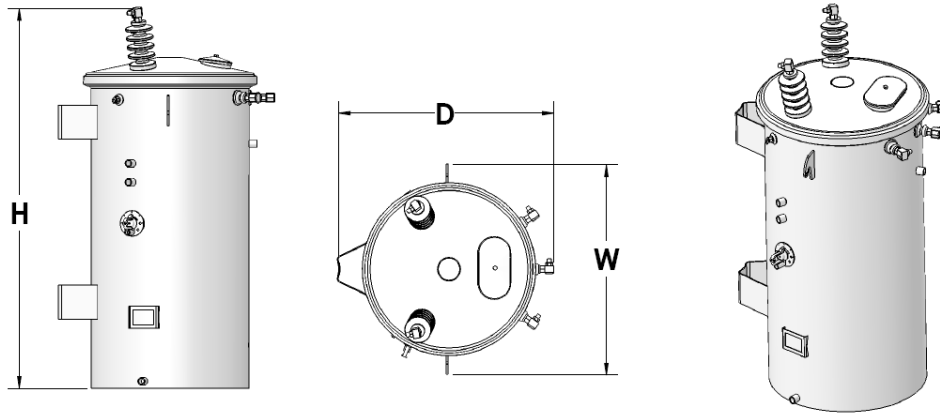
WACO, TEXAS

60 HZ

SECTION 15

PAGE 3

7-19-12



RATING		MECHANICAL DATA				
LOW VOLT	KVA	DIMENSIONS (APPROX. INCHES)			GAL OIL	APPROX. NET WGT.
		H	W	D		
HIGH VOLTAGE – 13200Y/22860Y – 13800/23900Y – 14400/24940Y (125 KV BIL)						
120/240 240/480 AND 277	10	36	18	21	10	240
	15	36	18	21	10	260
	25	39	20	23	15	375
	37½	41	22	25	19	505
	50	48	22	25	25	640
	75 100	53 59	28 28	28 28	40 47	865 1070
120/240	167	57	30	33	51	1480
	250	65	40	32	86	2135
	333	65	43	36	84	2315
240/480 AND 277	167	57	30	33	51	1480
	250	65	40	32	86	2135
	333	65	43	36	84	2315
	500	65	53	41	80	2905

DATA SUBJECT TO CHANGE

VANTRAN

WACO, TEXAS

SECTION 17

MECHANICAL DATA 3 COIL TRANSFORMERS

PAGE 2

THREE PHASE

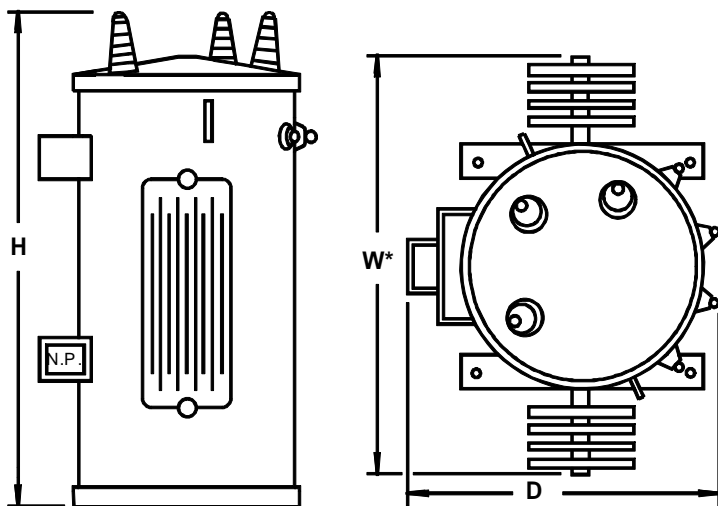
ONAN

65°C RISE

60 HZ

7-19-12

15 KV & BELOW – 95 KV BIL
TYPE CF



STANDARD ACCESSORIES

1. 3 COVER MTD. HV BUSHINGS
2. 3 SIDEWALL MTD. LV BUSHINGS
3. 1 SIDEWALL MTD. LV NEUTRAL BUSHING
4. NAMEPLATE
5. GROUND BOSSES
6. EXTERNAL NO-LOAD TAPCHANGER
7. POLE MOUNTING HANGERS
8. LIFTING LUGS
9. RADIATORS 112½ KVA & ABOVE
10. BASE - U CHANNEL

ROUTINE TESTS PER ANSI C57.12.90

1. RATIO
2. POLARITY & PHASE RELATIONS
3. EXCITATION LOSS
4. EXCITATION CURRENT
5. APPLIED POTENTIAL
6. INDUCED POTENTIAL
7. LOAD LOSS & IMPEDANCE
8. NO-LOAD LOSS

TRANSFORMERS CONFORM TO NEMA & ANSI STANDARDS WHERE APPLICABLE

MECHANICAL DATA

KVA RATING	DIMENSIONS (APPROX. INCHES)			HANGER TYPE	GAL OIL	APPROX. NET WEIGHT
	H	W	D			
15	62	27	29	A**	60	815
30	62	27	29	A**	56	930
45	62	27	29	A**	53	1000
75	62	27	29	A**	46	1175
112½	70	33*	29	B	66	1450
150	70	41*	29	B	59	1625
225	70	41*	32	C	48	1800
300	80	52*	32	C	80	2300

* DIMENSIONS INCLUDE RADIATORS

**TYPE "A" HANGER ON TYPE B SPACING

VANTRAN

WACO, TEXAS

SECTION 17

MECHANICAL DATA 3 COIL TRANSFORMERS

PAGE 3

THREE PHASE

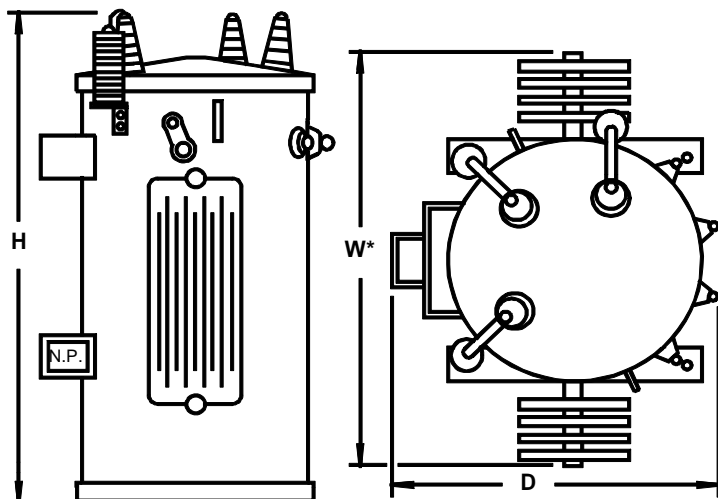
ONAN

65°C RISE

60 HZ

7-19-12

15 KV & BELOW – 95 KV BIL
TYPE CF



STANDARD ACCESSORIES

1. 3 COVER MTD. HV BUSHINGS
2. 3 SIDEWALL MTD. LV BUSHINGS
3. 1 SIDEWALL MTD. LV NEUTRAL BUSHING
4. NAMEPLATE
5. GROUND BOSSES
6. EXTERNAL NO-LOAD TAPCHANGER
7. LIGHTNING ARRESTERS
8. POLE MOUNTING HANGERS
9. LIFTING LUGS
10. RADIATORS 112½ KVA & ABOVE
11. INT. SECONDARY BREAKER
12. INT. WEAK LINK FUSES
13. BASE - U CHANNEL

ROUTINE TESTS PER ANSI C57.12.90

1. RATIO
2. POLARITY & PHASE RELATIONS
3. EXCITATION LOSS
4. EXCITATION CURRENT
5. APPLIED POTENTIAL
6. INDUCED POTENTIAL
7. LOAD LOSS & IMPEDANCE
8. NO-LOAD LOSS

TRANSFORMERS CONFORM TO NEMA & ANSI STANDARDS WHERE APPLICABLE

MECHANICAL DATA

KVA RATING	DIMENSIONS (APPROX. INCHES)			HANGER TYPE	GAL OIL	APPROX. NET WEIGHT
	H	W	D			
15	62	27	29	A**	60	815
30	62	27	29	A**	56	930
45	62	27	29	A**	53	1000
75	62	27	29	A**	46	1175
112½	70	33*	29	B	66	1450
150	70	41*	29	B	59	1625
225	70	41*	32	C	48	1800
300	80	52*	32	C	80	2300

* DIMENSIONS INCLUDE RADIATORS

**TYPE "A" HANGER ON TYPE B SPACING